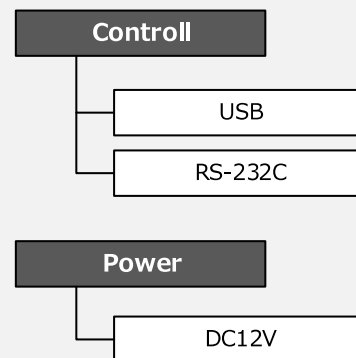


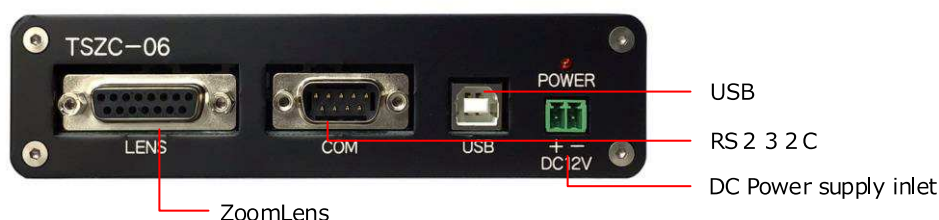
Zoom Lens Controller TSZC-06



The TSZC-06 is designed to control the position of the zoom lens.
 The controller stores values of the potentiometer inside the zoom lens and divides the movement range into 1,000 positions to control the position.
 For communication, USB or RS-232C serial communication is used.
 By sending simple commands from a PC or other equipment, users can use this controller to quickly move the zoom lens to a specified position.
 The TSZC-06 has made it possible to move three elements of zoom, focus and iris simultaneously.
 Also, 4 preset operation functions have been added.

Spec.

Name	Zoom Lens Controller
Type	TSZC-06
Compatible Zoom Lenses	Power zoom lenses made by SPACE, Inc.
Control	Zoom/Focus/Iris
Communication System	USB2.0(USB-Serial Communication) RS-232c
Control Capability	Resolution:1000step Movement Speed :changes with zoom lenses.
Applied Voltage on Zoom Lens	DC12V (DC6V Lens: Set the 50%Move Speed)
Main Power Supply	DC12V
Sample Software	Sample Source code :VB.net
Include	Manual USBcable PowerCable DCPowerSupply
Standard Dimensions	WxHxD 142x36x96[mm] (excluding protrusions)



Note: Specifications in this publication are as of June 2019. They are subject to change without notice for improvement of performance.